

5 to 10 tonne

Diesel

Forklifts



Godrej



India's No. 1 Forklift Truck



Godrej pioneered the material handling industry in India and manufactured their first Forklift Truck over 50 years ago. Since then Godrej Material Handling Equipment Division has been working closely with the Indian industry with innovative solutions that make life at work easy and improve productivity.

Godrej Forklift Trucks are tough, compact and highly maneuverable. They are designed for safe and easy operation to increase productivity even under exacting operating conditions.

The wide range of optional fitments and attachments offered by Godrej make these Forklift Trucks highly versatile for diverse industrial applications.

Equipment are even custom built to meet specific requirements. With 15 branches spread across the country and through our dealers, in India and abroad, we ensure prompt availability of genuine spares and proficient and well trained Service Support Staff.

Rugged Construction of Godrej Forklift Trucks

The 5 to 10 tonne Forklift Trucks are designed for rough outdoor use. With a welded frame for long life and zero maintenance and a mast constructed of reinforced interlocking i-sections. Rugged cylindrical roller bearings ensure precision vertical movement of the mast assembly.

Torque Converter Transmission for Optimum Use of Engine Power.

Torque Converter Transmissions are used worldwide on mobile material handling equipment requiring frequent stops, starts and direction reversals. They offer operational ease, faster acceleration, higher grade ability with full load and fuel efficiency. Godrej Forklift Trucks fitted with indigenously manufactured torque converter transmissions ensure ready availability of all parts, economical maintenance to give very low down time.

Clear View Mast

Godrej Forklift Trucks with Clear View masts of MFH upto 5500mm give the operator excellent visibility. Unique load lowering control valve regulates lowering speed in inverse proportion to load weight and acts as a safety device in case of hose failure. Low masts suitable for container stuffing and High masts for Empty Container Handling are also available.

Power Steering System

Godrej Forklift Trucks are fitted with lateral steering cylinder and feather touch hydrostatic power steering. Minimal effort is required even when turning the steering wheel with the Forklift Truck at rest. External forces on the wheels do not produce reaction at the steering hand wheel. Positive wheel contact is insured even on uneven surfaces for safe operation.

Braking System

Godrej Forklift Trucks are fitted with an efficient and fail-safe pneumatic braking system. In case of any pneumatic failure the brakes are automatically actuated, ensuring safety. The parking brake is applied by a simple flick of a switch.

Standard Fitment

Godrej Forklift Trucks are fitted with an automotive type instrument cluster to indicate engine hours, oil pressure, engine coolant temperature, fuel level and battery charging rate. Head, tail and signal lights are also provided for safer operation.

Container Handling

Godrej 5 to 10 tonne Forklift Trucks can be delivered with a special configuration for empty container handling and stacking.



STANDARD SPECIFICATIONS

MODEL		G 500 D	G 600 D	G 800 D	G 1000 D
CAPACITY					
at 600mm Load Centre	kg	5000	6000	8000	10000
at 800mm Load Centre	kg	4200	5000	6600	8300
at 1000mm Load Centre	kg	3600	4400	5700	7200
at 1200mm Load Centre	kg	3200	3900	5000	6300
for Empty Containers		20/2 high	20/3 high	40/2 high	40/3 high
ENGINE		Kirloskar 4R - 1040 (56kw / 2200rpm) [#] Tata 497TC (56kw / 2200rpm)		Ashok Leyland - ALHT4CTIC3 (101 hp / 2200rpm) Ashok Leyland - ALHT4CTIC3 (74.3 kw / 2200rpm)	
Make (output)					
No. of Cylinders		4		6	
Type		Inlined Cylinder, Direct Injection, Water Cooled			
TRANSMISSION					
Type		Hydraulic Torque Converter, Constant Mesh Gears			
Speeds (Fwd/Rev)		2/2 [#]	2/2 [#]	2/2 [#]	2/2 [#]
STEERING SYSTEM		Rear Wheel Steering, Hydrostatic Power Steering, Lateral Steering Cylinder			
TYRES					
Type		Pneumatic / Solid Cushion			
Nos : Front/Rear		4/2	4/2	4/2	4/2
Size : Pneumatic		7.50" X 20" 12 PLY		9.00" X 20" 14 PLY	
: Solid Cushion	mm	940 O.D. X 190 WIDE		990 O.D. X 228 WIDE	
BRAKES					
Service Brake		Pneumatic Operation, Internal Expanding Shoe & Drum Type			
Parking Brake		Spring Operated with Pneumatic Release			
PERFORMANCE					
Travel Speed (Laden) : Pneumatic Tyres	km/h	23	24	24	15
: Solid Tyres	km/h	16	16	16	15
Lifting Speed (Laden)	m/sec	0.22	0.22	0.22	0.22
Lowering Speed (Laden)	m/sec	0.30	0.30	0.30	0.30
Gradeability (Laden)	%	15	15	15	15
SERVICE WEIGHT	kg	9350	10500	12000	12700
INTERSECTING AISLE WIDTH	mm	3550	4000	4000	4150
RIGHT ANGLE STACKING AISLE WIDTH (Load Width : 2300 mm; Load Length : LL)	mm	4600 + LL	5050 + LL	5050 + LL	5200 + LL

[#]4/4 available on request.

OPTIONAL FITMENTS AND ACCESSORIES

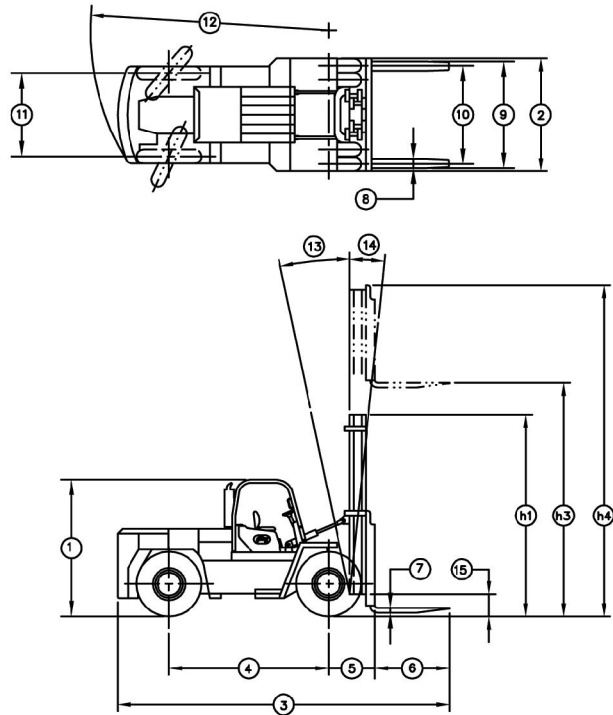
Coil Handling Ram Attachment	Furance Charger*
Container Spreader**	Long Forks
Dumper Tyre Handler***	Rotating Forks
Exhaust Gas Purifier	Shovel Attachment*
Exhaust Gas Spark Arrestor	Side Shifter*
Fork Positioner**	Spot Light (Reverse)

Forklift Trucks of capacities exceeding 10T manufactured as per requirement.

Godrej Diesel Forklifts of 5 T to 10 T capacity suitable for container stuffing operations are also available

*Requires 1 Hose Adaptation Unit **Requires 2 Hose Adaptation Unit ***Requires 4 Hose Adaptation Unit

Standard Dimensions (mm)				
Model	G 500 D	G 600D	G 800 D	G 1000 D
① Height at overhead guard	2600	2600	2600	2600
	*	2200		
② Overall width	2200	2200	2200	2200
	*	2170		
③ Overall Length (With Forks)	5200	5400	5600	5950
④ Wheel base	2300	2300	2600	2850
⑤ Front Overhang	635			
⑥ Fork Length	1600	1600	1600	1600
⑦ Fork Thickness	65	65	75	75
⑧ Fork Width	150	150	150	200
⑨ Fork Spread	475-2150	475-2150	475-2150	475-2150
⑩ Tyre Tread (Front)	1850	1850	1950	1950
⑪ Tyre Tread (Rear)	1400	1400	1500	1900
⑫ Outer Turning Radius	3700	3800	4250	4800
⑬ Tilt Angle (Backward)	12°	12°	12°	12°
⑭ Tilt Angle (Forward)	6°	6°	6°	6°
⑮ Ground Clearance	175	175	200	200



MAST SPECIFICATIONS											
MODEL		G 500 D					G 600 D				
⑬	Max. fork Height	mm	1900*	3660	4500	5500	1900*	3660	4500	5500	6100
⑪	Mast. Ht. (Fork Lowered)	mm	2200*	2850	3250	3750	2200*	2850	3250	3750	4100
⑫	Mast. Ht. (Fork Raised)	mm	2900*	4600	5500	6500	2900*	4600	5500	6500	7600
Capacity at Max. Height @ 600 mm L.C.		kg	5000	5000	5000	5000	6000	6000	6000	6000	6000

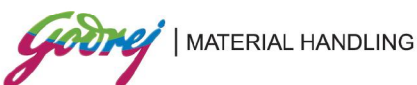
MODEL		G 800 D					G 1000 D					
⑬	Max. fork Height	mm	1900*	3660	4500	5500	6100	1900*	3660	4500	5500	6100
⑪	Mast. Ht. (Fork Lowered)	mm	2200*	3660	4000	4500	4150	2200*	3660	4000	4500	4150
⑫	Mast. Ht. (Fork Raised)	mm	3030*	4900	5750	6750	7600	3030*	4900	5750	6750	7600
Capacity at Max. Height @ 600 mm L.C.		kg	8000*	8000	8000	8000	8000	10000*	10000	10000	10000	10000

Note: All Specification indicated are subject to a variation of ±15% and further affected by operating conditions, optional fitments and accessories.

Critical specification should be confirmed before placement of order. Specification are subject to change without notice.

*Available only on special request for container stuffing operations

Colours shown in the catalogues are indicative colours. Our Standard Colour is Traffic Yellow and Jet Black.
*The image shown in the leaflet are representative. Actual equipment may differ in colour and optional accessories.



GODREJ & BOYCE MFG. CO. LTD.
Plant 16, Pirojshanagar, Vikhroli, Mumbai 400079
• Tel: +91 22 6796 4660 / 73 • Fax: +91 22 6796 1519
• E-mail: mhemktg@godrej.com • url: http://godrejmh.com

Overseas Branch and Service Centre,
SAIF Zone, P. O. Box 8549, Sharjah, U.A.E.
• Tel.: +971 55 899 2305 / 2316 • Mob.: 00 971 504629701
• Fax: 00 971 65570966 • E-mail: mahesh@godrej.ae

- Branches & Service Centres**
- Mumbai : 022 67961725 / 67961291
 - Pune : 020 66255121-22
 - Ahmedabad : 079 66060646 / 66060701 / 66060606
 - Indore : 0731 4069335 / 2532917
 - Chennai : 044 66544431-32
 - Bangalore : 080 66472251
 - Kochi : 0484 6612777 / 6612609
 - Hyderabad : 040 66431203
 - Vizag : 0891 2517930 / 2746511-2-3
 - Delhi : 011 66507340 / 50
 - Chandigarh : 0172 5012525 / 5037738
 - Jaipur : 0141 6701441/2
 - Lucknow : 0522 6754961
 - Kolkata : 033 66013771-75
 - Bhubaneswar : 0674 2374626
 - Coimbatore : 0422 2545799 / 599
 - Guwahati : 03612 468242
 - Raipur : 07716606706

Represented by: